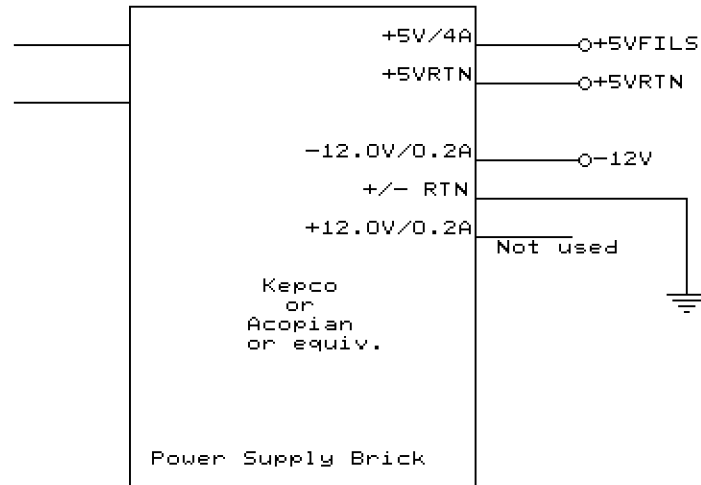
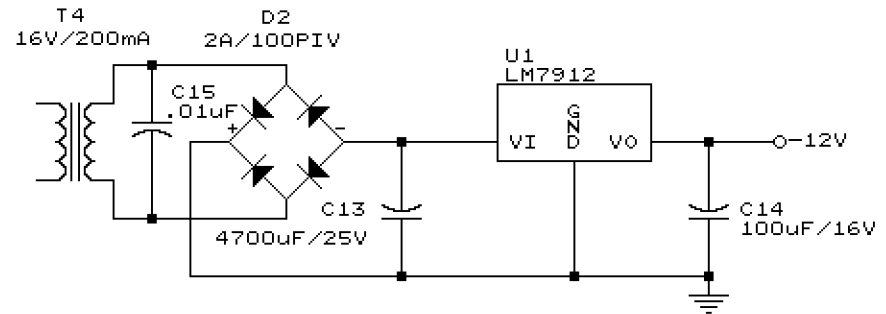


Filament and Bias Option

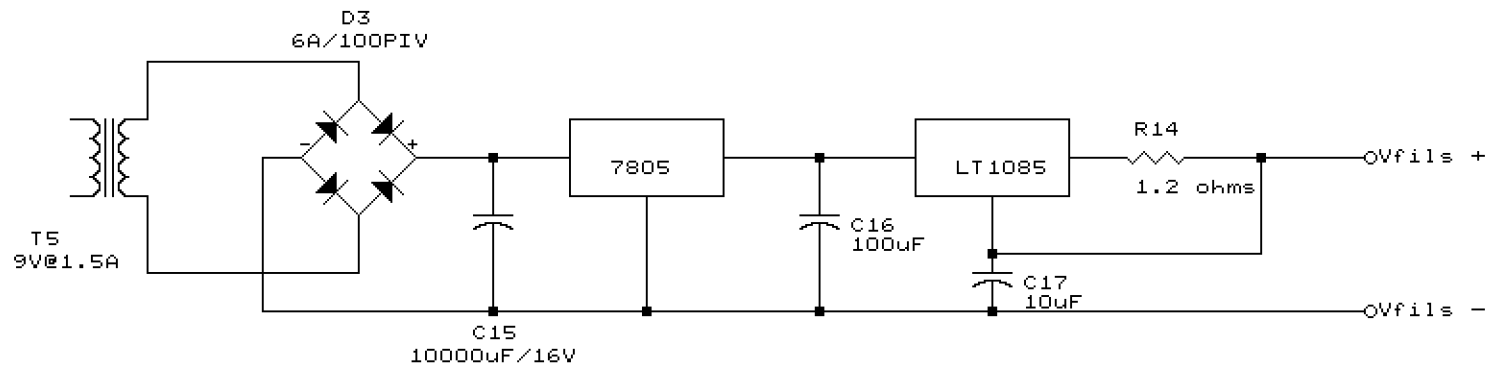
(See text for important information)



Separate -12V Bias Supply Option



Filament Supply Options



As shown for 26 DHT, one required per tube

For 01 change T5 to 12V@0.5A, C15 to 4700uF/25V,

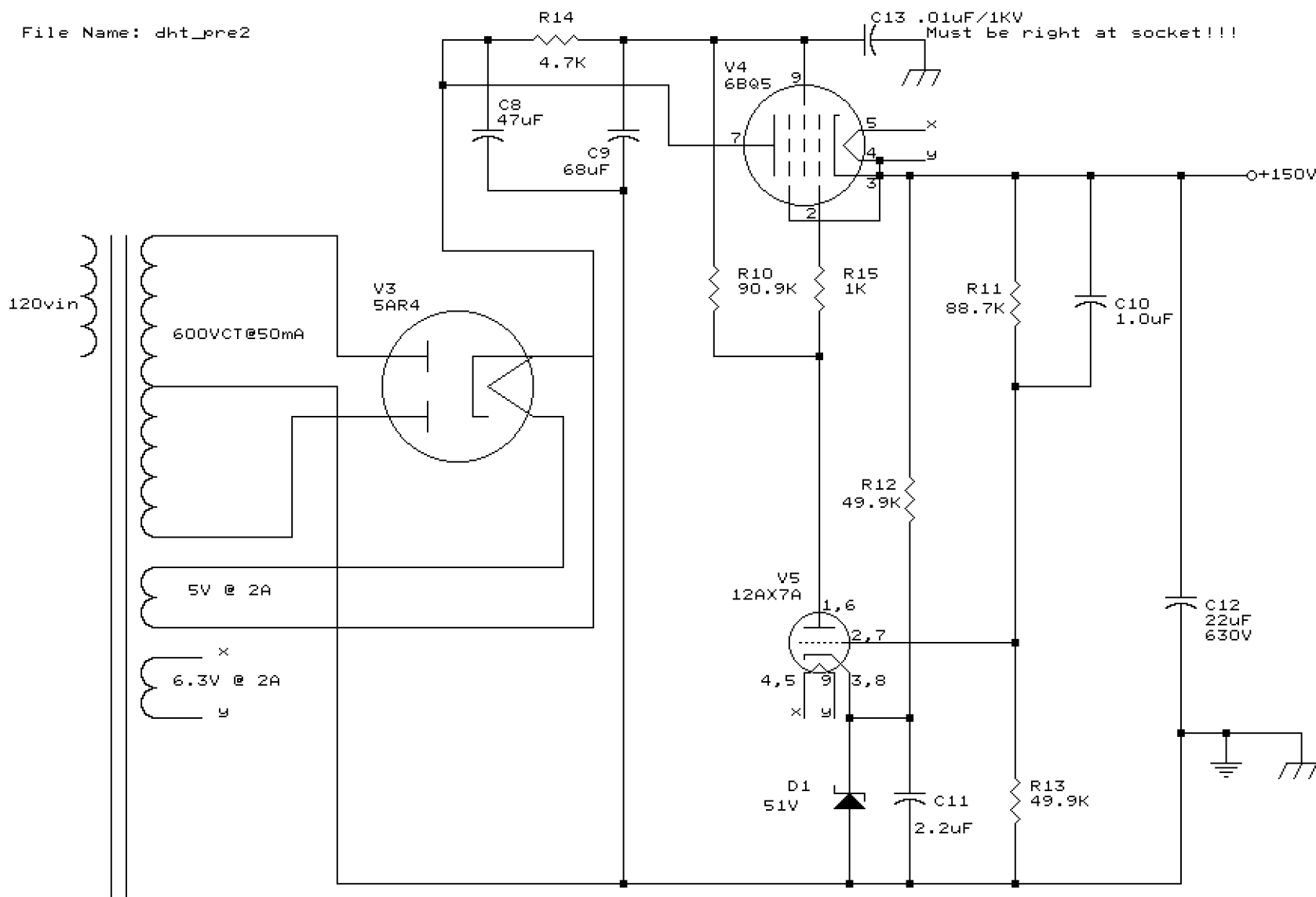
7805 to 7809 and R14 to 5 ohms

One required per tube

Kevin Kennedy/KTA

Title		
DHT_PRE Filament and Bias Supply		
Size	Document Number	REV
A		0
Date:	November 3, 2004	Sheet 3 of 3

File Name: dht_pre2



Design copyright 2000 by Kevin R. Kennedy for KTA

Kevin Kennedy/KTA		
Title		
DHT PRE Improved Plate Supply		
Size	Document Number	REV
A		0
Date:	November 3, 2004	Sheet 2 of 3