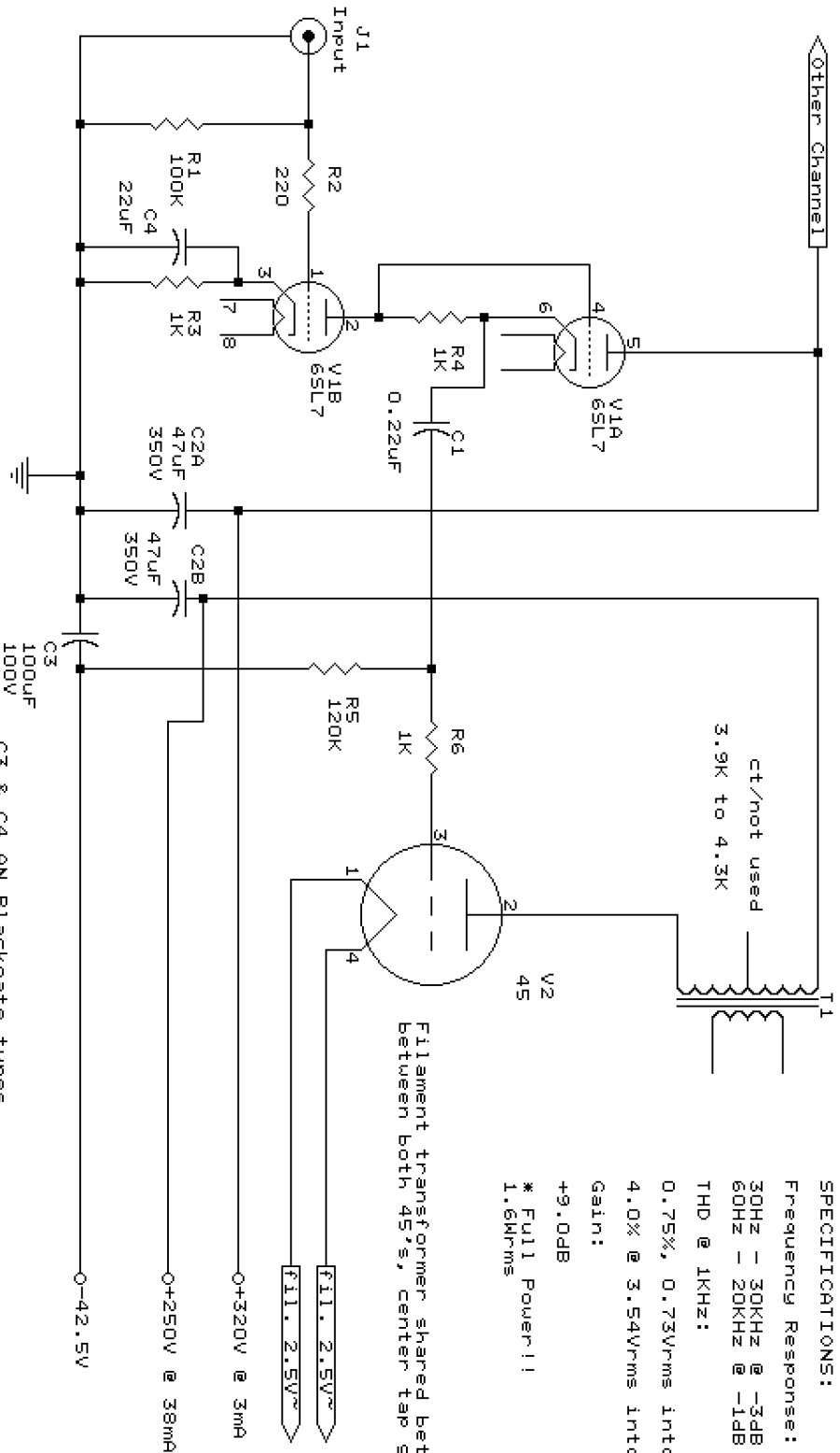


Output Transformer from 6BQ5 based pushpull amp.  
 Connect 4 ohm spkr to 8 ohm tap, or 8 ohm to 16 ohm tap.  
 EICO HF-81 OPT

EICO HF-81 OPT

**SPECIFICATIONS:**

Frequency Response:  
 30Hz - 30KHz @ -3dB  
 60Hz - 20KHz @ -1dB  
 THD @ 1KHz:  
 0.75%, 0.73Vrms into 8 ohms  
 4.0% @ 3.54Vrms into 8 ohms\*  
 Gain:  
 +9.0dB  
 \* Full Power!!  
 1.6Wrms



C2 Multi-section  
 Elna Cerafine Type

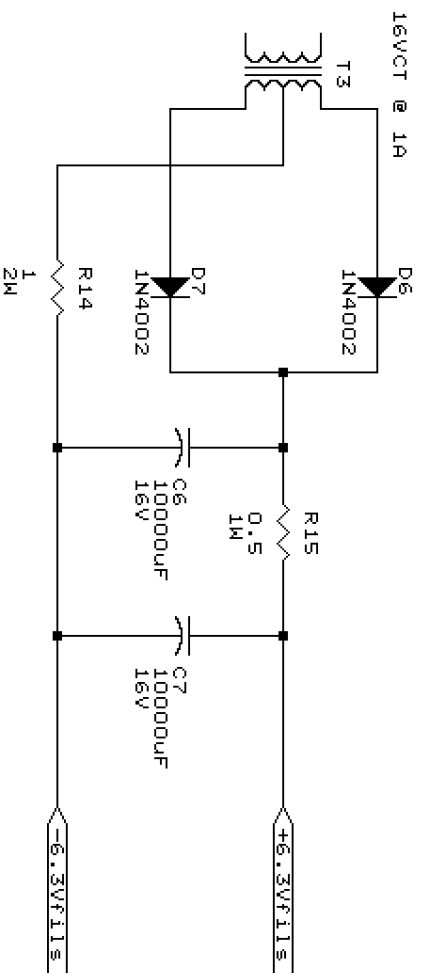
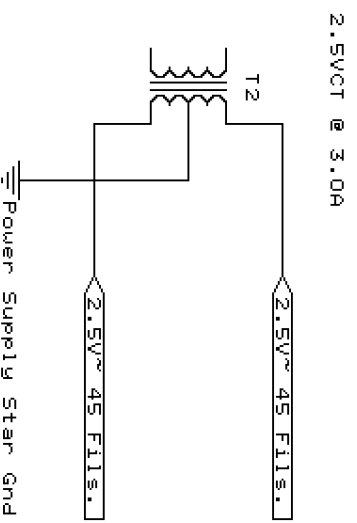
C3 & C4 AN Blackgate types

Note:  
 C2C is used for the other channel output stage  
 separate lines to supply allow monitoring of the  
 45 plate current independantly.

Kennedy Tube Audio	
Title	Single Ended 45 Amp
Size/Document Number	A
Date:	May 16, 1998/Sheet 1 of 2
REV	1



File Name: dhtpur2



Notes:  
All 6.3V supplies (AC or DC) are INTENTIONALLY floating.  
6.3Vdc supply on this page supplies V4, as well as 6SL7  
for each channel. Total I = 850mA

Kennedy Tube Audio	
Title	
Filament Supplies/Misc.	
Size	Document Number
A	
Date:	May 16, 1998
Sheet	of
REV	0